

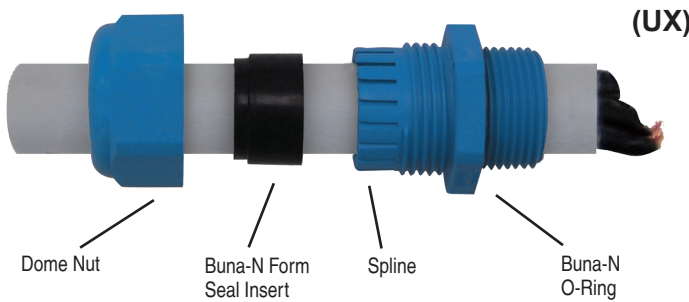


For Non-Armored Cable

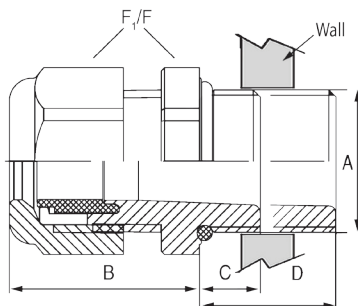
Nylon, Cable Glands for Increased Safety, Hazardous Duty Locations, Blue (RAL 5012), V0, UL94, NEMA 6, 150 PSIG, IP 68/69K, 10 BAR

Part Numbers		Cable Range	Thread Type & Size	Dimensions in Inches (mm)				
-4°F to 203°F (-20°C to 95°C)	-4°F to 203°F (-20°C to 95°C)			A	B	C	D	F ₁ /F
		Inches (mm)	Page 55 for Thread Specs	Clearance Hole +.01" (+.25 mm)	Body Length (Dome)	Thread Length (Standard)	Thread Length (Elongated)	Wrench Flats
CD12MA-UX	CD12DA-UX	.12 - .26 (3 - 6.5)	M12 x 1.5	.47 (12)	.83 (21)	.31 (8)	.59 (15)	.59 (15)
CD12MR-UX	CD12DR-UX	.08 - .20 (2 - 5)						
CD16MA-UX	CD16DA-UX	.16 - .31 (4 - 8)	M16 x 1.5	.63 (16)	.87 (22)	.31 (8)	.59 (15)	.75 (19)
CD16MR-UX	CD16DR-UX	.12 - .24 (3 - 6)						
CD17MA-UX	CD17DA-UX	.20 - .39 (5 - 10)	M16 x 1.5	.63 (16)	.98 (25)	.31 (8)	.59 (15)	.87 (22)
CD17MR-UX	CD17DR-UX	.12 - .28 (3 - 7)						
CD20MA-UX	CD20DA-UX	.26 - .47 (6.5 - 12)	M20 x 1.5	.79 (20)	1.06 (27)	.35 (9)	.59 (15)	.94 (24)
CD20MR-UX	CD20DR-UX	.20 - .35 (5 - 9)						
CD22MA-UX	CD22DA-UX	.39 - .55 (10 - 14)	M20 x 1.5	.79 (20)	1.10 (28)	.35 (9)	.59 (15)	1.06 (27)
CD22MR-UX	CD22DR-UX	.28 - .47 (7 - 12)						
CD25MA-UX	CD25DA-UX	.51 - .71 (13 - 18)	M25 x 1.5	.98 (25)	1.22 (31)	.43 (11)	.59 (15)	1.30 (33)
CD25MR-UX	CD25DR-UX	.35 - .63 (9 - 16)						
CD32MA-UX	CD32DA-UX	.71 - .98 (18 - 25)	M32 x 1.5	1.26 (32)	1.53 (39)	.43 (11)	.59 (15)	1.65 (42)
CD32MR-UX	CD32DR-UX	.51 - .79 (13 - 20)						
CD40MA-UX	CD40DA-UX	.87 - 1.26 (22 - 32)	M40 x 1.5	1.57 (40)	1.88 (48)	.51 (13)	.71 (18)	2.09 (53)
CD40MR-UX	CD40DR-UX	.79 - 1.02 (20 - 26)						
CD50MA-UX	CD50DA-UX	1.26 - 1.50 (32 - 38)	M50 x 1.5	1.97 (50)	1.93 (49)	.51 (13)	.71 (18)	2.36 (60)
CD50MR-UX	CD50DR-UX	.98 - 1.22 (25 - 31)						
CD63MA-UX	CD63DA-UX	1.46 - 1.73 (37 - 44)	M63 x 1.5	2.48 (63)	1.93 (49)	.55 (14)	.71 (18)	2.56 (65) / 2.68 (68)
CD63MR-UX	CD63DR-UX	1.14 - 1.38 (29 - 35)						



(UX)

Elongated Thread is recommend where the Cable Glands has to pass through a thick wall or the application just needs the Extra Thread Length.



 Suggested Clearance Hole for Non-Threaded Mounting



Ex-d EXIOS
 Cable Glands
 Ex-d Nickel Plated Brass & Stainless Steel Glands
 Nylon Glands
 Ex-e Multi-Hole & Romex Glands
 Ex-e Nickel Plated Brass & Stainless Steel Glands
 Ex-e FM/ RFI Nickel Plated Brass Glands
 Ex-e Conduit & Fitting Systems
 Ex-e / Ex-d Accessories
 Technical Information