

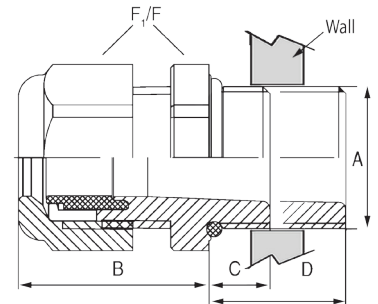
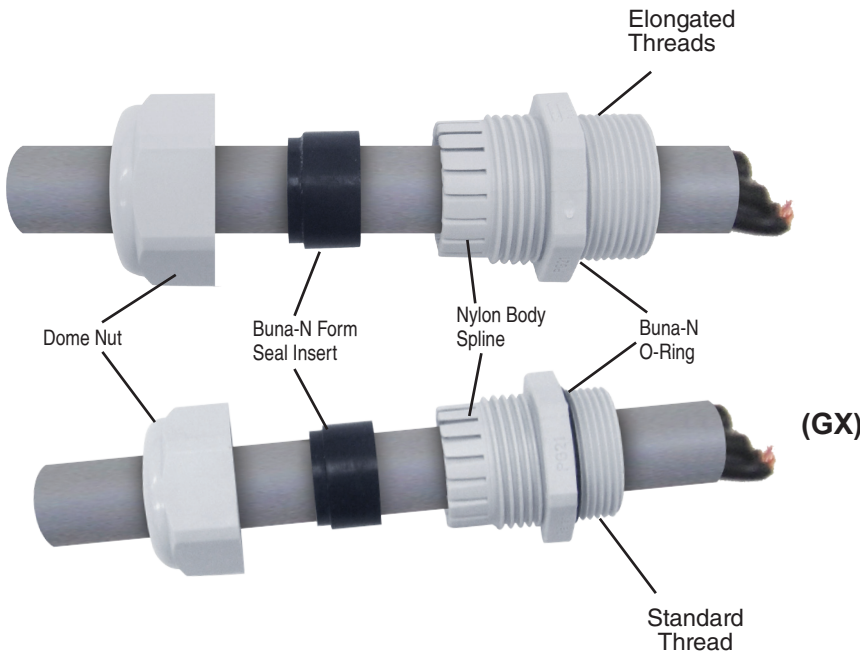


For Non-Armored Cable

Nylon, Cable Glands for Hazardous Duty Locations, Gray (RAL 7035), Protection Class V0, UL94, NEMA 6, 150 PSIG, IP 68/69K, 10 BAR

Part Numbers		Cable Range	Thread Type & Size	Dimensions in Inches (mm)				
-4°F to 203°F (-20°C to 95°C)	-4°F to 203°F (-20°C to 95°C)			A	B	C	D	F
		Inches (mm)	Page 55 for Thread Specs	Clearance Hole +.01" (+.25 mm)	Body Length (Dome)	Thread Length (Standard)	Thread Length (Elongated)	Wrench Flats
CD07AA-GX	CD07CA-GX	.12 - .26 (3 - 6.5)	PG 7	.49 (12.5)	.83 (21)	.31 (8)	.59 (15)	.59 (15)
CD07AR-GX	CD07CR-GX	.08 - .20 (2 - 5)	PG 9	.60 (15.2)	.87 (22)	.31 (8)	.59 (15)	.75 (19)
CD09AA-GX	CD09CA-GX	.16 - .31 (4 - 8)	PG 11	.73 (18.5)	.98 (25)	.31 (8)	.59 (15)	.87 (22)
CD09AR-GX	CD09CR-GX	.12 - .24 (3 - 6)	PG 13	.80 (20.3)	1.06 (27)	.35 (9)	.59 (15)	.94 (24)
CD11AA-GX	CD11CA-GX	.20 - .39 (5 - 10)	PG 16	.89 (22.5)	1.10 (28)	.39 (10)	.59 (15)	1.06 (27)
CD11AR-GX	CD11CR-GX	.12 - .28 (3 - 7)	PG 21	1.12 (28.4)	1.22 (31)	.43 (11)	.59 (15)	1.30 (33)
CD13AA-GX	CD13CA-GX	.26 - .47 (6.5 - 12)	PG 29	1.47 (37.3)	1.53 (39)	.43 (11)	.59 (15)	1.65 (42)
CD13AR-GX	CD13CR-GX	.20 - .35 (5 - 9)	PG 36	1.85 (47)	1.88 (48)	.51 (13)	.71 (18)	2.09 (53)
CD16AA-GX	CD16CA-GX	.39 - .55 (10 - 14)	PG 42	2.13 (54.1)	1.93 (49)	.51 (13)	.71 (18)	2.36 (60)
CD16AR-GX	CD16CR-GX	.28 - .47 (7 - 12)	PG 48	2.34 (59.4)	1.93 (49)	.55 (14)	.71 (18)	2.56 (65)
CD21AA-GX	CD21CA-GX	.51 - .71 (13 - 18)						
CD21AR-GX	CD21CR-GX	.35 - .63 (9 - 16)						
CD29AA-GX	CD29CA-GX	.71 - .98 (18 - 25)						
CD29AR-GX	CD29CR-GX	.51 - .79 (13 - 20)						
CD36AA-GX	CD36CA-GX	.87 - 1.26 (22 - 32)						
CD36AR-GX	CD36CR-GX	.79 - 1.02 (20 - 26)						
CD42AA-GX	CD42CA-GX	1.26 - 1.50 (32 - 38)						
CD42AR-GX	CD42CR-GX	.98 - 1.22 (25 - 31)						
CD48AA-GX	CD48CA-GX	1.46 - 1.73 (37 - 44)						
CD48AR-GX	CD48CR-GX	1.14 - 1.38 (29 - 35)						



Elongated Thread is recommend where the Cable Glands has to pass through a thick wall or the application just needs the Extra Thread Length.



Ex-d EXIOS  
 Ex-d Nickel Plated Brass & Stainless Steel Glands  
 Nylon Glands  
 Ex-e  
 Ex-e Multi-Hole & Romex Glands  
 Ex-e Nickel Plated Brass & Stainless Steel Glands  
 Ex-e EMI / RFI Nickel Plated Brass Glands  
 Ex-e Conduit & Fitting Systems  
 Ex-e / Ex-d Accessories  
 Technical Information