

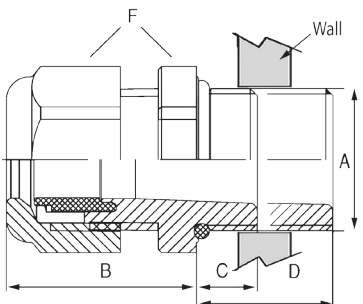
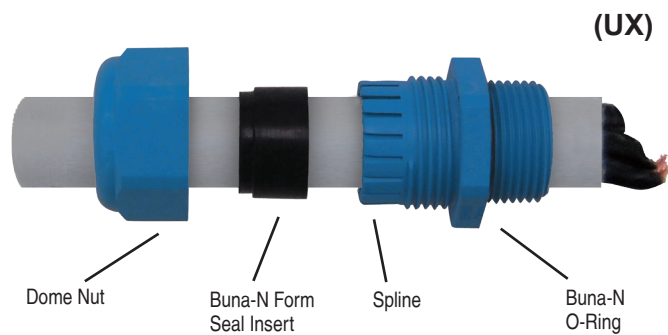


Ex-d EXIOS Cable Glands
 Ex-d Nickel Plated Brass & Stainless Steel Glands
 Ex-e Nylon Glands
 Ex-e Multi-Hole & Romex Glands
 Ex-e Nickel Plated Brass & Stainless Steel Glands
 Ex-e EMI / RFI Nickel Plated Brass Glands
 Ex-e Conduit & Fitting Systems
 Ex-e / Ex-d Accessories
 Technical Information

For Non-Armored Cable

Nylon, Cable Glands for Increased Safety, Hazardous Duty Locations, Blue (RAL 5012), V0, UL94, NEMA 6, 150 PSIG, IP 68/69K, 10 BAR

Part Numbers		Cable Range	Thread Type & Size	Dimensions in Inches (mm)				
-4°F to 203°F (-20°C to 95°C)	-4°F to 203°F (-20°C to 95°C)			A	B	C	D	F
		Inches (mm)	Page 55 for Thread Specs	Clearance Hole + .01" (+.25 mm)	Body Length (Dome)	Thread Length (Standard)	Thread Length (Elongated)	Wrench Flats
(Standard)	(Elongated)							
CD07AA-UX	CD07CA-UX	.12 - .26 (3 - 6.5)	PG 7	.49 (12.5)	.83 (21)	.31 (8)	.59 (15)	.59 (15)
CD07AR-UX	CD07CR-UX	.08 - .20 (2 - 5)						
CD09AA-UX	CD09CA-UX	.16 - .31 (4 - 8)	PG 9	.60 (15.2)	.87 (22)	.31 (8)	.59 (15)	.75 (19)
CD09AR-UX	CD09CR-UX	.12 - .24 (3 - 6)						
CD11AA-UX	CD11CA-UX	.20 - .39 (5 - 10)	PG 11	.73 (18.5)	.98 (25)	.31 (8)	.59 (15)	.87 (22)
CD11AR-UX	CD11CR-UX	.12 - .28 (3 - 7)						
CD13AA-UX	CD13CA-UX	.26 - .47 (6.5 - 12)	PG 13	.80 (20.3)	1.06 (27)	.35 (9)	.59 (15)	.94 (24)
CD13AR-UX	CD13CR-UX	.20 - .35 (5 - 9)						
CD16AA-UX	CD16CA-UX	.39 - .55 (10 - 14)	PG 16	.89 (22.5)	1.10 (28)	.39 (10)	.59 (15)	1.06 (27)
CD16AR-UX	CD16CR-UX	.28 - .47 (7 - 12)						
CD21AA-UX	CD21CA-UX	.51 - .71 (13 - 18)	PG 21	1.12 (28.4)	1.22 (31)	.43 (11)	.59 (15)	1.30 (33)
CD21AR-UX	CD21CR-UX	.35 - .63 (9 - 16)						
CD29AA-UX	CD29CA-UX	.71 - .98 (18 - 25)	PG 29	1.47 (37.3)	1.53 (39)	.43 (11)	.59 (15)	1.65 (42)
CD29AR-UX	CD29CR-UX	.51 - .79 (13 - 20)						
CD36AA-UX	CD36CA-UX	.87 - 1.26 (22 - 32)	PG 36	1.85 (47)	1.88 (48)	.51 (13)	.71 (18)	2.09 (53)
CD36AR-UX	CD36CR-UX	.79 - 1.02 (20 - 26)						
CD42AA-UX	CD42CA-UX	1.26 - 1.50 (32 - 38)	PG 42	2.13 (54.1)	1.93 (49)	.51 (13)	.71 (18)	2.36 (60)
CD42AR-UX	CD42CR-UX	.98 - 1.22 (25 - 31)						
CD48AA-UX	CD48CA-UX	1.46 - 1.73 (37 - 44)	PG 48	2.34 (59.4)	1.93 (49)	.55 (14)	.71 (18)	2.56 (65)
CD48AR-UX	CD48CR-UX	1.14 - 1.38 (29 - 35)						



Suggested Clearance Hole for Non-Threaded Mounting

Elongated Thread is recommend where the Cable Glands has to pass through a thick wall or the application just needs the Extra Thread Length.