



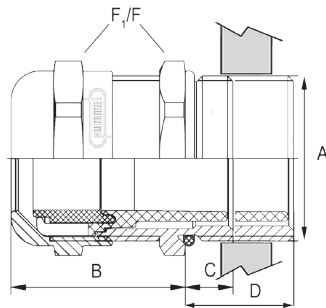
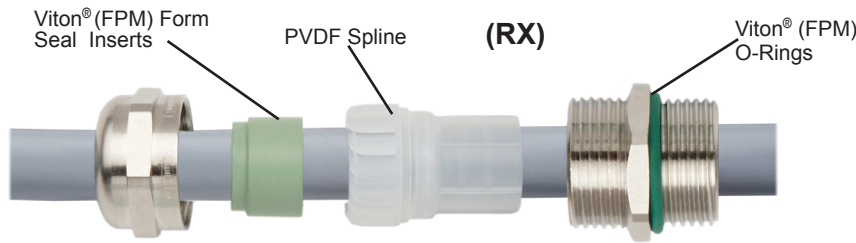
Ex-d EXIOS Cable Glands
 Ex-d Nickel Plated Brass & Stainless Steel Glands
 Ex-e Nylon Glands
 Ex-e Multi-Hole & Romex Glands
 Ex-e Nickel Plated Brass & Stainless Steel Glands
 Ex-e EMI / RFI Nickel Plated Brass Glands
 Ex-e Conduit & Fitting Systems
 Ex-e / Ex-d Accessories
 Technical Information

For Non-Armored Cable

Nickel Plated Brass Cable Glands for Hazardous Duty Locations, PVDF Splines with Viton® Insert, V0, UL94, NEMA 6, 150 PSIG, IP 68/69K, 10 BAR

Part Numbers		Cable Range	Thread Type & Size	Dimensions in Inches (mm)				
-4°F to 266°F (-20°C to 130°C)	-4°F to 266°F (-20°C to 130°C)			A	B	C	D	F ₁ /F
		Inches (mm)	Page 55 for Thread Specs	Clearance Hole + .01" (+.25 mm)	Body Length (Dome)	Thread Length (Standard)	Thread Length (Elongated)	Wrench Flats
CD07AA-RX	CD07CA-RX	.12 - .26 (3 - 6.5)	PG 7	.49 (12.5)	.75 (19)	.20 (5)	.39 (10)	.55 (14)
CD07AR-RX	CD07CR-RX	.08 - .20 (2 - 5)						
CD09AA-RX	CD09CA-RX	.16 - .31 (4 - 8)	PG 9	.60 (15.2)	.83 (21)	.24 (6)	.39 (10)	.67 (17)
CD09AR-RX	CD09CR-RX	.08 - .24 (2 - 6)						
CD11AA-RX	CD11CA-RX	.24 - .39 (6 - 10)	PG 11	.73 (18.5)	.87 (22)	.24 (6)	.39 (10)	.79 (20)
CD11AR-RX	CD11CR-RX	.12 - .28 (3 - 7)						
CD13AA-RX	CD13CA-RX	.24 - .47 (6 - 12)	PG 13	.80 (20.3)	.94 (24)	.26 (6.5)	.39 (10)	.87 (22)
CD13AR-RX	CD13CR-RX	.20 - .35 (5 - 9)						
CD16AA-RX	CD16CA-RX	.39 - .55 (10 - 14)	PG 16	.89 (22.5)	.91 (23)	.26 (6.5)	.39 (10)	.94 (24)
CD16AR-RX	CD16CR-RX	.28 - .47 (7 - 12)						
CD21AA-RX	CD21CA-RX	.55 - .71 (14 - 18)	PG 21	1.12 (28.4)	.94 (24)	.28 (7)	.47 (12)	1.18 (30)
CD21AR-RX	CD21CR-RX	.39 - .63 (10 - 16)						
CD29AA-RX	CD29CA-RX	.79 - .98 (20 - 25)	PG 29	1.47 (37.3)	1.14 (29)	.31 (8)	.47 (12)	1.57 (40)
CD29AR-RX	CD29CR-RX	.51 - .79 (13 - 20)						
CD36AA-RX	CD36CA-RX	.87 - 1.26 (22 - 32)	PG 36	1.85 (47)	1.38 (35)	.31 (8)	.59 (15)	1.97 (50)
CD36AR-RX	CD36CR-RX	.79 - 1.02 (20 - 26)						
CD42AA-RX	CD42CA-RX	1.26 - 1.50 (32 - 38)	PG 42	2.13 (54.1)	1.46 (37)	.35 (9)	.59 (15)	2.24 (57)
CD42AR-RX	CD42CR-RX	.98 - 1.22 (25 - 31)						
CD48AA-RX	CD48CA-RX	1.46 - 1.73 (37 - 44)	PG 48	2.34 (59.4)	1.50 (38)	.39 (10)	.59 (15)	2.52 (64)
CD48AR-RX	CD48CR-RX	1.14 - 1.38 (29 - 35)						

Viton® is a federally registered trademark of DuPont Dow Elastomer.



Elongated Threads is recommend where the Cable Glands has to pass through a thick wall or the application just needs the Extra Thread Length.